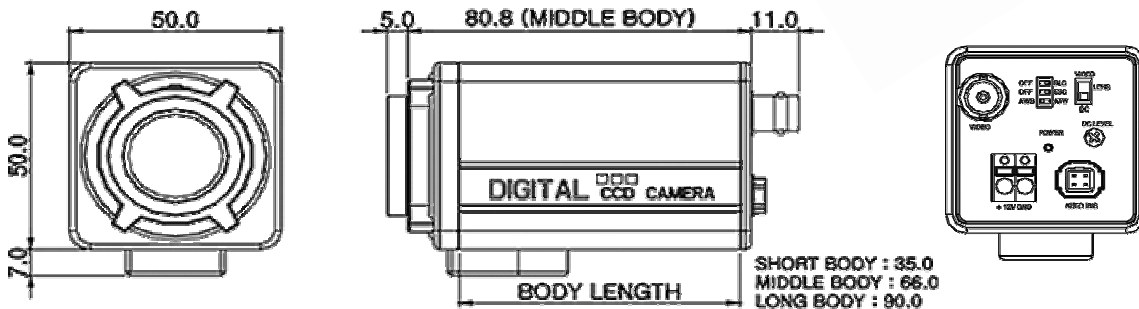


SC1351C



FEATURE

- SONY 1/3" Super HAD CCD Hi-Res. Color CCD**
- Back Light Compensation**
- Auto Iris Function (Video/DC)**
- DC 12V Power Source**



MODEL	SC1351C
Image Sensor	1/3" SONY Super HAD Color CCD
Effective Pixels	752H X 582V (440K pixels)
Scanning System	625 Lines 2 : 1 Interlace
Scanning Frequency	15.625 KHz (H), 50 Hz (V)
Resolution	510 TVL
Shutter Speed	1/50 ~ 1/1000,000 sec
S/N Ratio	More than 48dB (AGC off)
Sync. System	Internal
Min Illumination	0.5 Lux (F1.2)
White Balance	AWB
BLC	ON /OFF
Video Output	VBS 1.0Vp-p (75 ohm)
Iris Mode	Video Iris / DC
Lens Mount	C / CS Mount
Power Supply	DC12V
Power Consumption	190mA
Operating Temp	-10 deg ~ +50 deg
Operating Humidity	90% RH Max
Weight	Approx 190g
Dimension (W x H x D)mm	50 x 50 x 80.8

Specifications are subject to change without notice