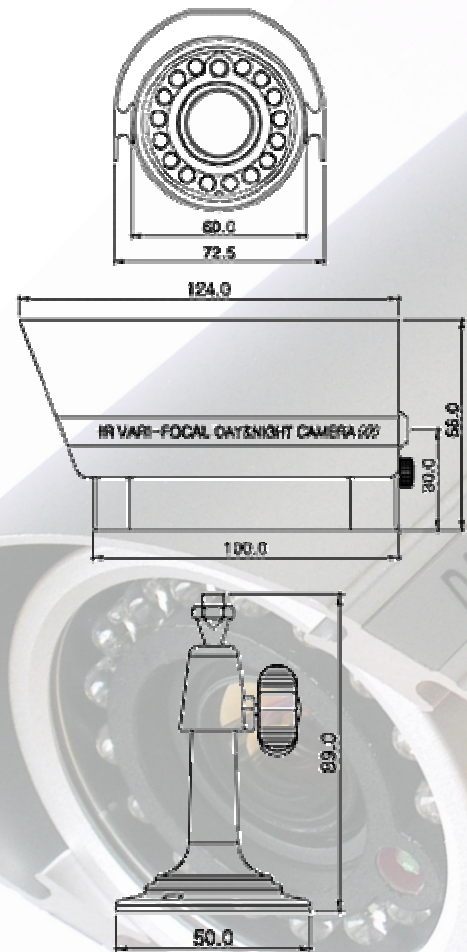




SCIR3895Vi

SONY 1/3 Super HAD High Resolution Color CCD
Filter Changing Vari-focal DC Auto Iris Lens Built-in
(3.8 ~ 9.5mm / F1.3)
Ultra Low Light Sensitivity
Filter Switching / IR-LED Combination Day & Night
CDS Auto Switching IR LED Control (16 pcs)
ESC, Flickerless, BLC, AGC Function Control
Viewing Angle & DC Level / Easy Adjustment
Weatherproof (IP65)



VARI-FOCAL DAY & NIGHT IR LED CAMERA

MODEL	SCIR-3895Vi
Image Sensor	1/3" SONY Color CCD
Effective Pixels	752H X 582V (440K pixels)
Scanning System	625 Lines 2 : 1 Interlace
Scanning Frequency	15.625 KHz (H), 50 Hz (V)
Resolution	470 TVL
Shutter Speed	1/50 ~ 1/1000,000 sec
S/N Ratio	More than 48dB (AGC off)
Sync. System	Internal
Min Illumination	0 Lux with IR-LED (16 pcs)
Video Output	VBS 1.0Vp-p (75 ohm)
Lens	Vari-Focal DC Auto Iris Lens (F1.3) 3.8~9.5mm
Power Supply	DC 12V
Power Consumption	160mA / 350mA at IR LED On (DC12V)
Operating Temp	-10 deg ~ +50 deg
Operating Humidity	90% RH Max

Specifications are subject to change without notice